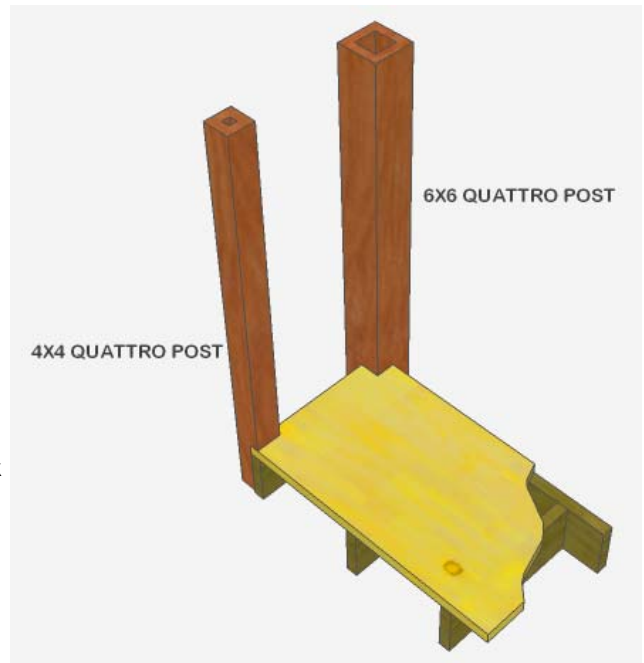


Suggested Installation of Notched deck posts for QuattroPost Deck Posts

Installation of Deck Post on top of Deck Surface - Notched application

This method is suitable for installing QuattroPosts on decks where the finished decking material is already installed.

1. Ensure deck framing is solid. Check local area codes for specific requirements.
2. Measure and lay out the centerline locations for your posts.
3. Determine the slope of your deck (if there is any slope).
4. Draw the notch layout on the post bottoms.
 - 4x4: leave 57 mm (2 1/4") remaining to the outer face to be bolted to the deck framing.
 - 6x6 or 8x8: cut the notch at the center of the post.
 - The vertical cut length will vary depending on the depth of your deck framing. Typically, cut the notch so the bottom of the post stops 13mm (1/2") above the bottom of the deck joist. If your deck is sloped, match this slope in the horizontal cut that will sit on top of your decking. (See fig. 1 and 1A)
5. Cut out the notch using a circular saw. The corners of these cuts can be finished with a handsaw, or a jig saw.
6. Check for local building code requirements before cutting posts to length at the top end.
7. Measure and mark the centers for the pilot holes for the 9.5mm (3/8") bolts. (See fig. 2, 2A, 3, and 3A) Use a sharp 9.5mm (3/8") wood auger drill bit and drill the pilot holes square to the face of the post.
8. Center each post on the centerline layout marks on the deck, and drill the pilot holes through the post and the deck framing. Note: for easier installation the posts can be held to the deck with clamps for this step.
9. Connecting hardware must be rust resistant – galvanized or electroplated for example. Ensure these bolts are compatible with treated deck framing lumber if used. Bolt length will vary depending on deck framing member sizes. Each bolt must have a washer on the outside face of the post, and a washer, lock washer and nut on the inside face of the deck framing. Carriage bolts or machine bolts are recommended. Lag bolts can only be used for this application when the bolt centers line up with joists. (see fig. 3) If 9.5 mm (3/8") lag bolts are used: the pre-drilled holes in the posts must be 6mm (1/4") and the pre-drilled pilot holes in the joists must be 9mm (3/8"). Extra care must be taken not to over tighten lag bolts, as they will strip.
10. Insert the bolts/ washers from the outside face of the post, attach the washers and nut on the inside face of the framing, then tighten the bolts until the washers start to crush the face of the post and framing. Do not over tighten – this could damage the finish of your posts.
11. Using a carpenter's level, check to ensure each post is plumb. Slight adjustments can be made using shims of building felt paper or other weather resistant material if necessary. Shims can be inserted between the post and the deck framing.
12. Bolts should be checked for tightness at least twice per year after installation – usually in the Spring and Fall seasons.



For maximum strength QuattroTimber recommends using a combination of 4x4 and 6x6 deck posts. 6x6 for the corner posts and 4x4 for standard deck posts.

NOTE: WHEN INSTALLING 4X4 NOTCHED POSTS 2 - 4X4 POSTS ARE REQUIRED FOR OUTSIDE CORNERS (DETAIL D). ALTERNATELY, A SINGLE 6X6 POST CAN BE USED AT AN OUTSIDE CORNER (DETAIL B) AS WELL AS AT AN INSIDE CORNER (DETAIL F).

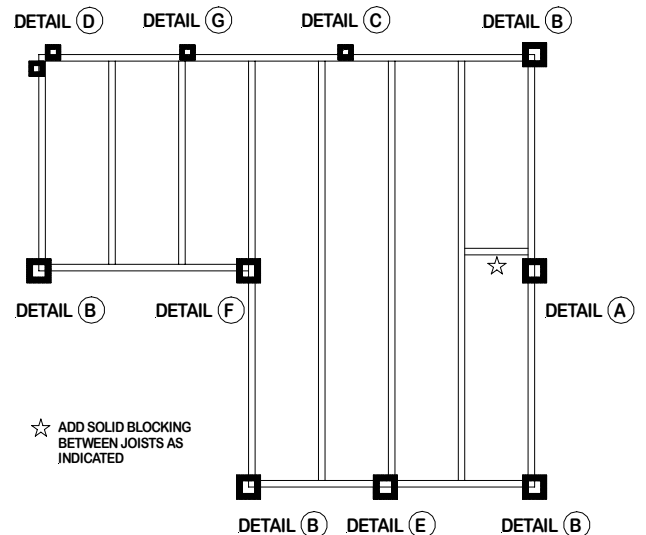
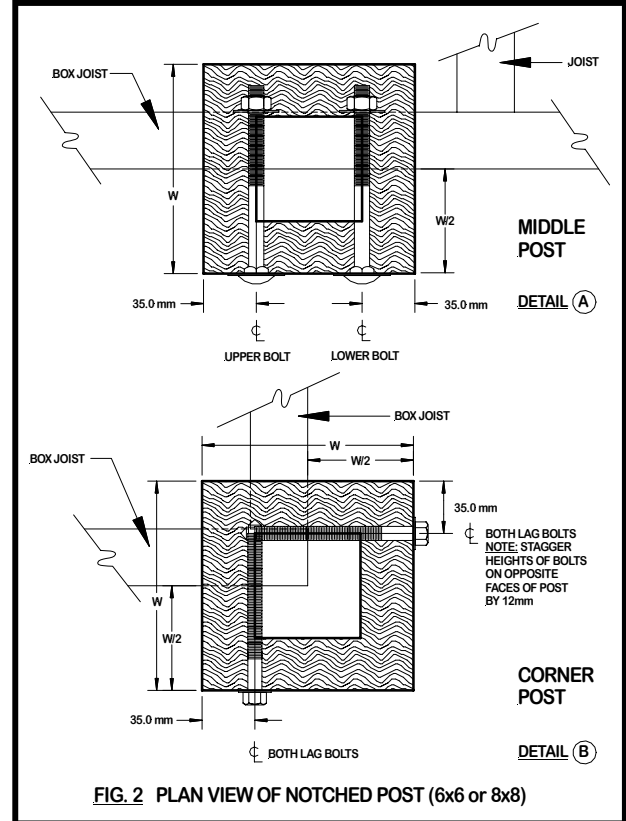
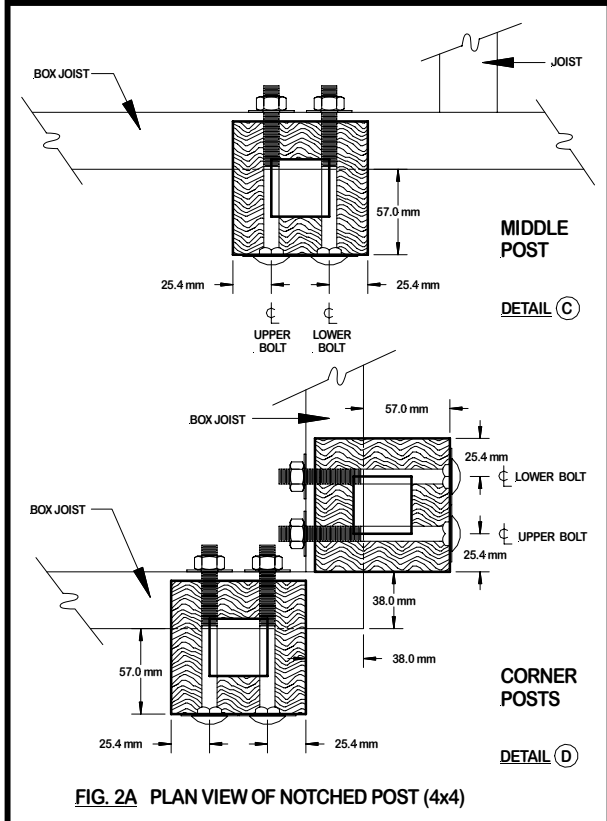
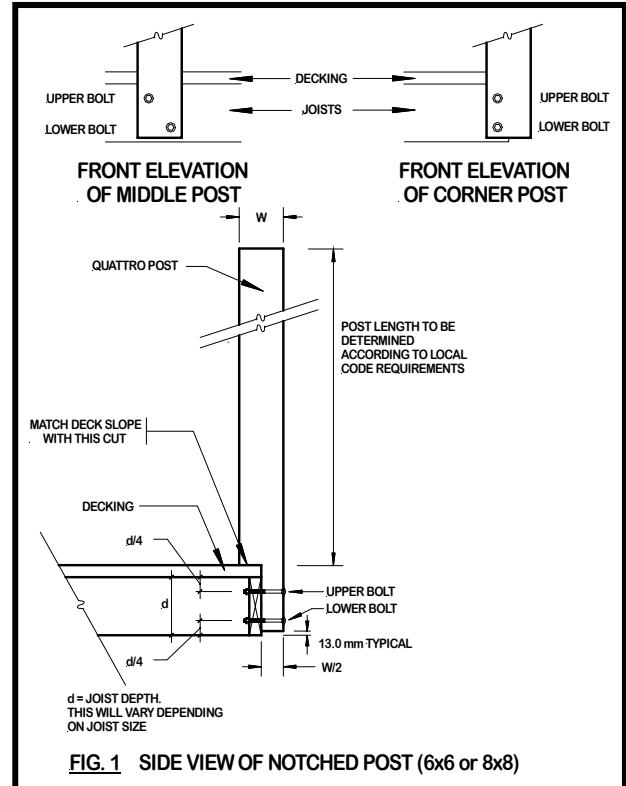
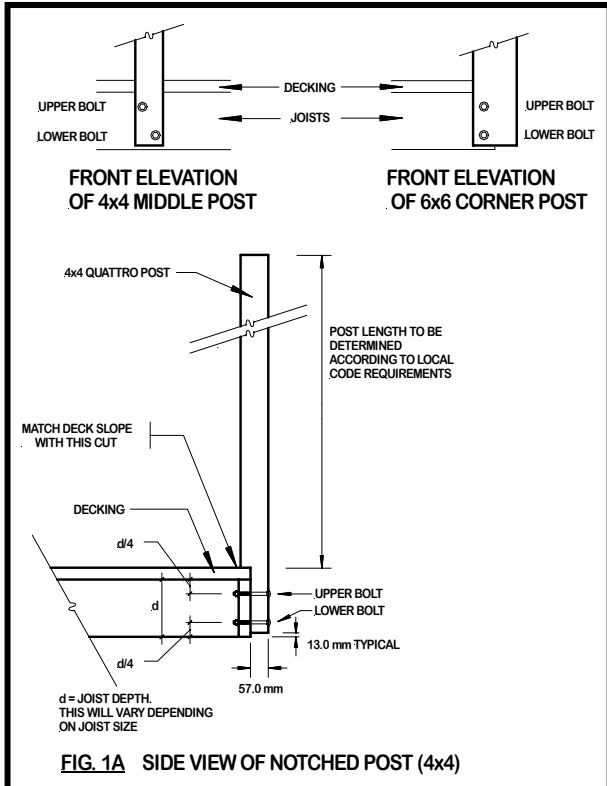


FIG. 7 PLAN VIEW OF TYPICAL POST LOCATIONS FOR NOTCHED POST INSTALLATION

See **Figs. 2, 2A, 3, and 3A** for Details A, B, C, D, E, F, and G

Suggested Installation of Notched deck posts for QuattroPost Deck Posts



Suggested Installation of Notched deck posts for QuattroPost Deck Posts

